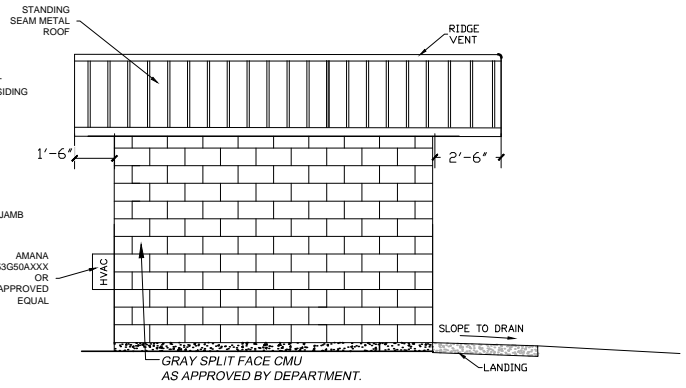
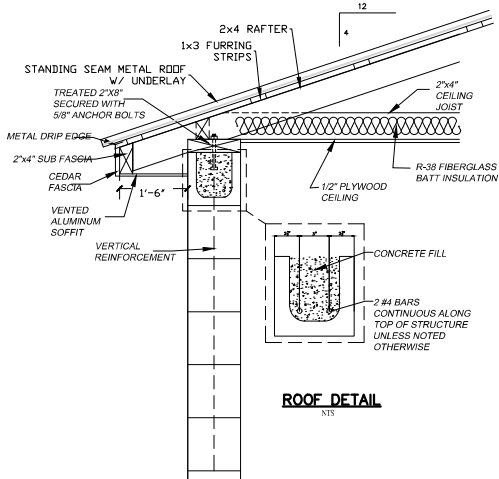


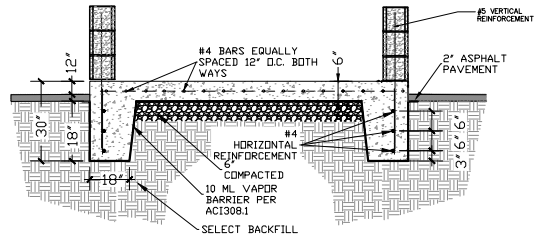
EXTERIOR ELEVATION
NTS



EXTERIOR ELEVATION
NTS

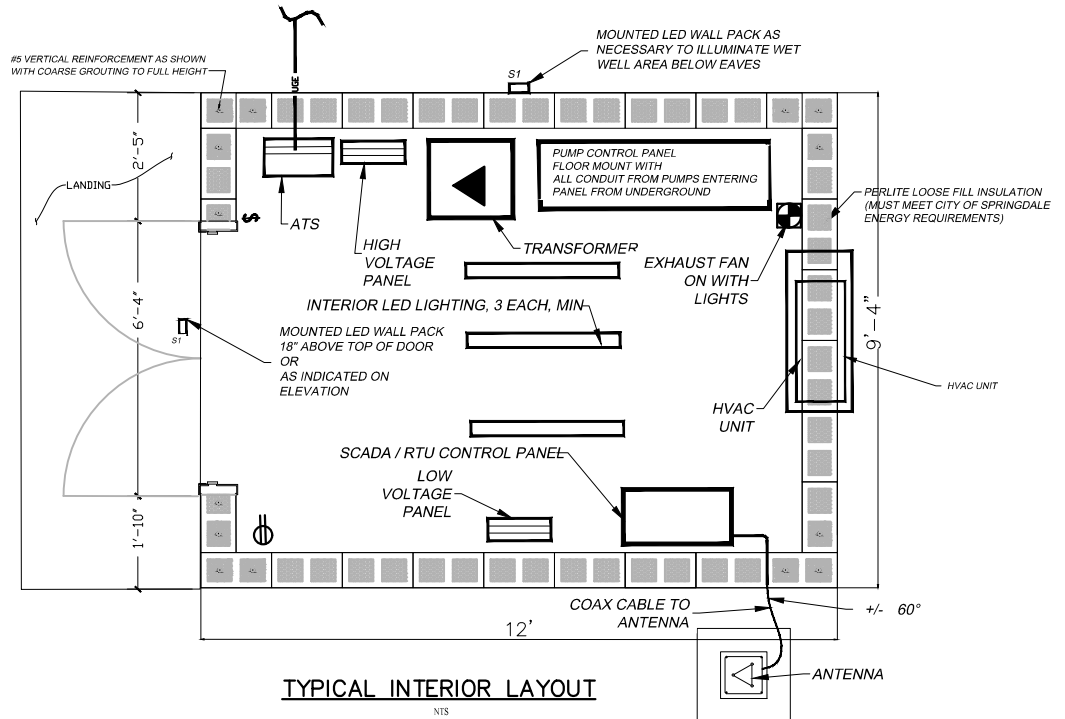


ROOF DETAIL
NTS



NOTE: FOUNDATION SHALL BE MADE OF 3,000 PSI CONCRETE OR AS APPROVED BY THE ENGINEER. CONCRETE SHALL HAVE A CLASS 6 BRODDM FINISH.

FOUNDATION DETAIL
NTS



TYPICAL INTERIOR LAYOUT
NTS

ONSITE SPLIT FACE CMU BUILDING DETAIL
NTS



526 OAK AVENUE • P.O. BOX 769 • SPRINGDALE, ARKANSAS • 72765-0769 • (479) 751-5751

STANDARD SEWAGE PUMP STATION DETAILS FOR WATER AND SEWER CONSTRUCTION

DRAWN BY:

CRK

DRAWING NO:

PS-6

DATE:

JAN. 2021