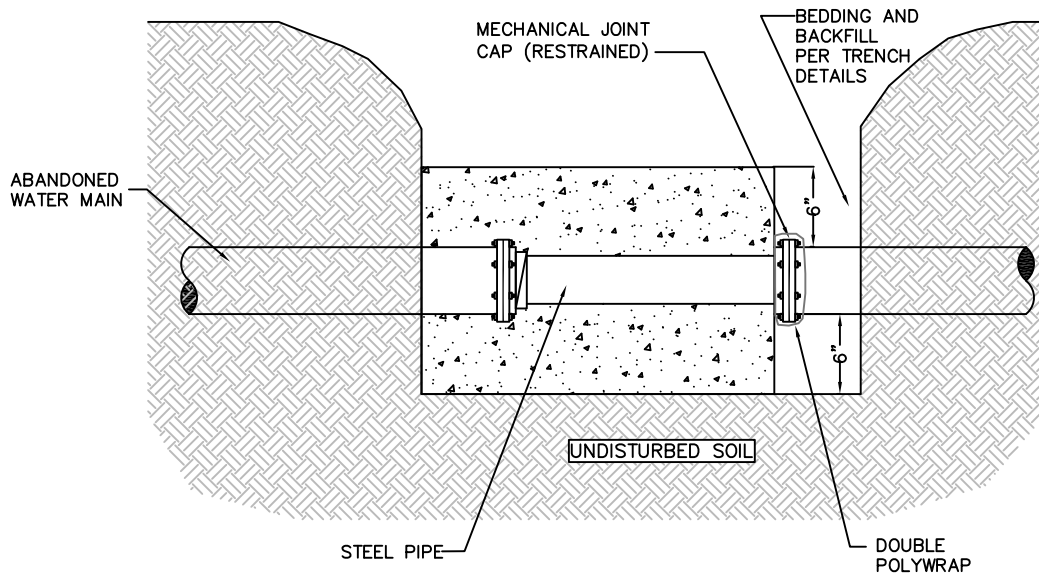


PLAN VIEW



PROFILE VIEW

WATER LINE CUT AND CAP

N.T.S.
S-44