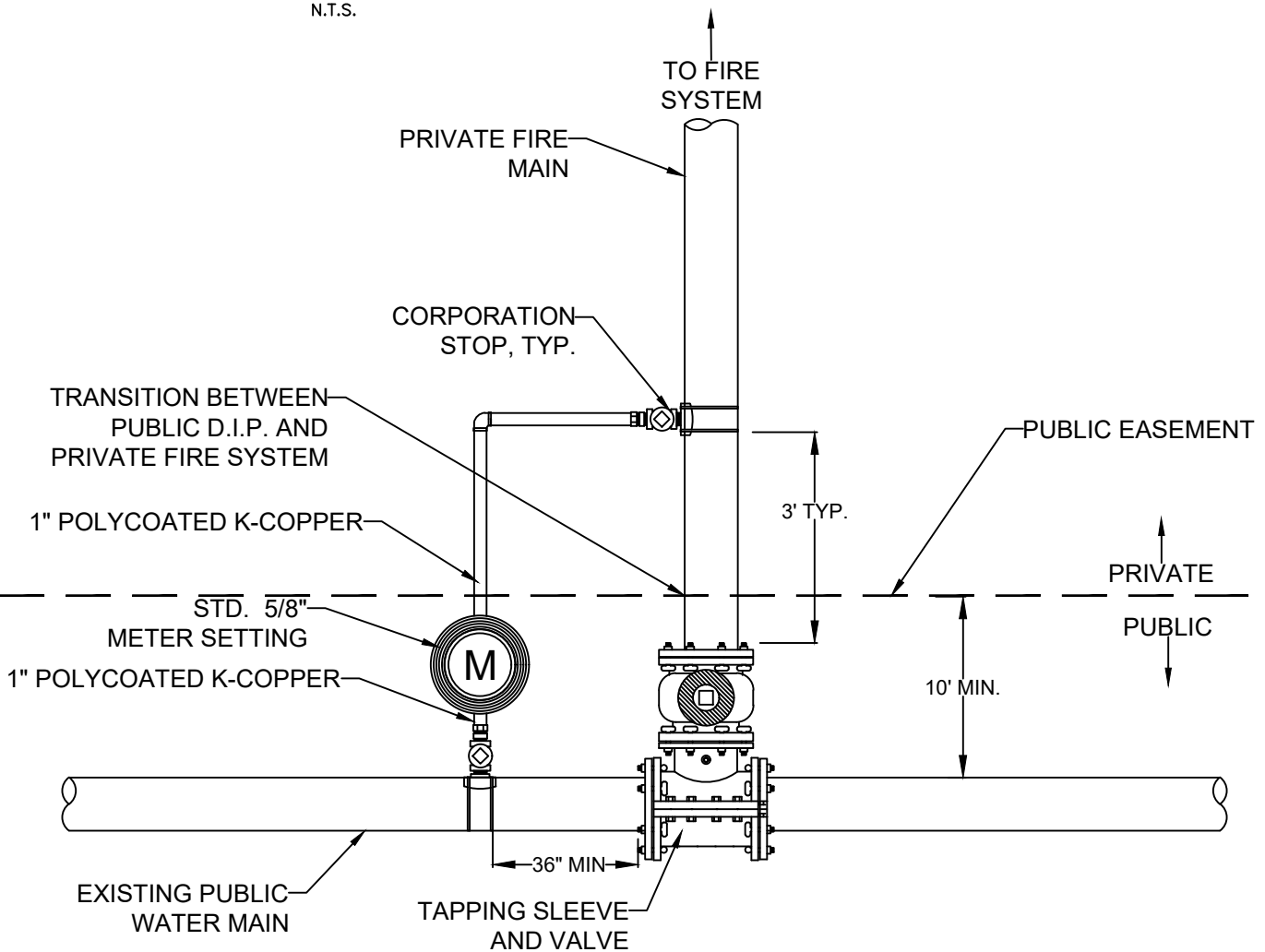


L84-34-NL (SINGLE SETTING)

LEAK DETECTION METER ASSEMBLY

N.T.S.



FIRE SYSTEM CONNECTION

N.T.S.



526 OAK AVENUE P.O. BOX 769 SPRINGDALE, ARKANSAS 72765-0769 (479) 751-5751

STANDARD DETAILS
FOR
WATER AND SEWER CONSTRUCTION

DRAWN BY: crk	DRAWING NO: S-36	DATE: OCTOBER 2023
------------------	---------------------	-----------------------