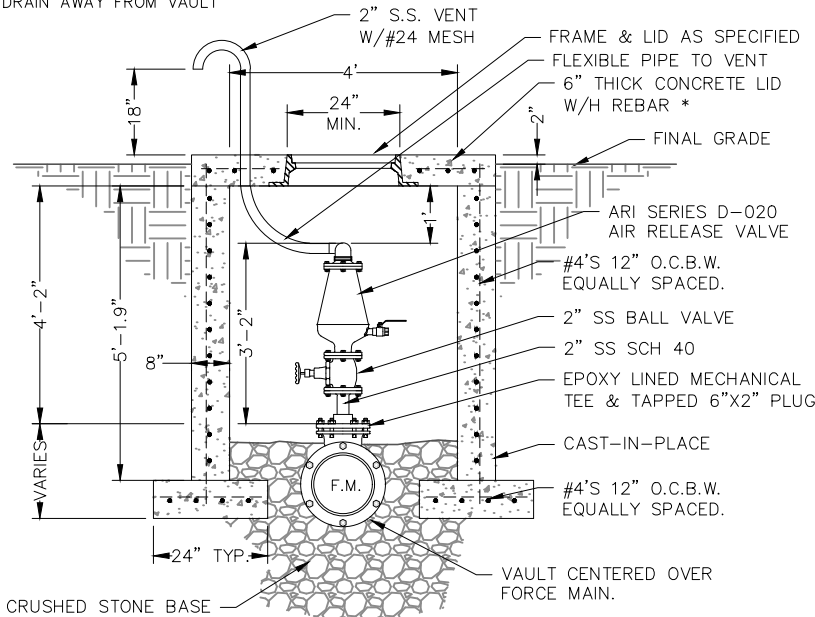


NOTE:

TOP OF VAULT TO BE APPROX. 2" ABOVE FINAL GRADE WITH SOIL SHAPED TO DRAIN AWAY FROM VAULT



SECTION VIEW

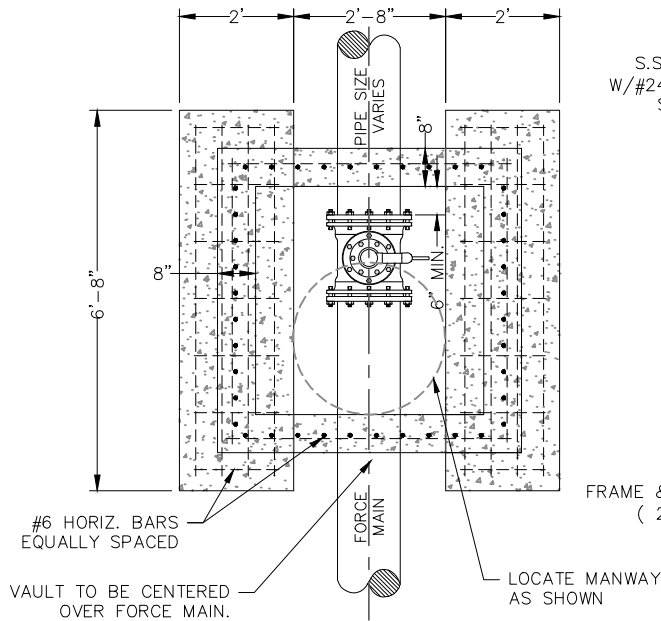
* NOT FOR TRAFFIC USE

NOTE:

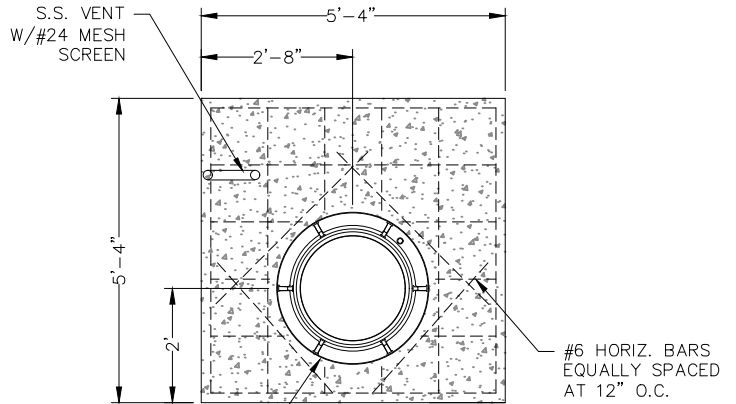
CONTRACTOR TO FOLLOW STANDARD LAY DEPTHS: HOWEVER F.M. DEPTH TO BE ADJUSTED TO ALLOW DEPTHS AS SHOWN. AIR/VACUUM RELEASE ASSEMBLIES TO BE LOCATED AT HIGHPOINT AS SHOWN ON PLANS OR AS DIRECTED BY ENGINEER.

NOTE:

EPOXY COAT ALL INTERIOR CONCRETE SURFACES. SEE SPECIFICATION SECTION T20 - PROTECTIVE COATING FOR MANHOLES AND OTHER STRUCTURES.



**VAULT - TOP VIEW
(LID REMOVED - SEE LID DETAIL)**



LID - TOP VIEW

AIR/VACUUM RELEASE VALVE & VAULT

N.T.S.
S-33



526 OAK AVENUE • P.O. BOX 769 • SPRINGDALE, ARKANSAS • 72765-0769 • (479) 751-5751

STANDARD DETAILS
FOR
WATER AND SEWER CONSTRUCTION

DRAWN BY:

CAG

DRAWING NO:

S-33

DATE:

SEPTEMBER 2025