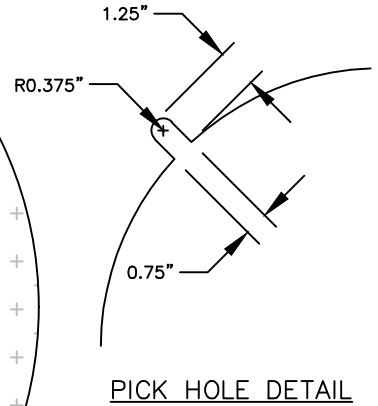
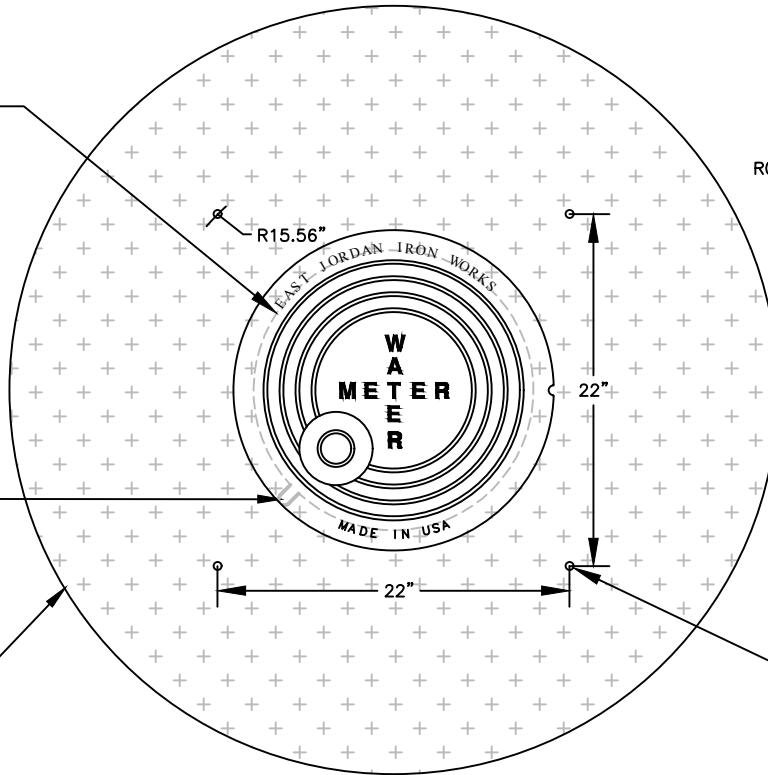


HOLE TO ACCOMODATE PRECAST LID
(EAST JORDAN IRON WORKS - MODEL
109P WITH MINIMAL TOLERANCE)
35100903

TOP VIEW

PICK HOLE
(SEE DETAIL)

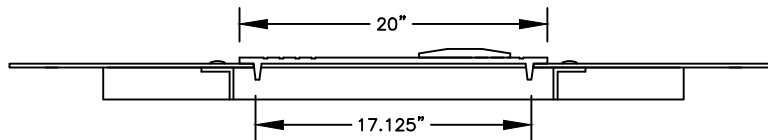
48" ϕ
1/4" DIAMOND PLATE
ALUMINUM



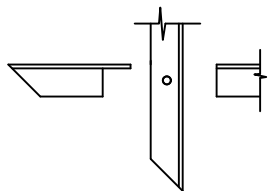
PICK HOLE DETAIL

HOLES TO BE LOCATED
15.56" FROM CENTER AND
MUST ACCOMODATE 3/8"
CARRIAGE BOLTS, TYP. (MATCH
HOLE FOR FRAME BELOW)

SIDE VIEW



BOTTOM VIEW



EXPLODED CORNER VIEW

GRIND CORNER, TYP.

GRIND WELDS FLUSH ON
REVERSE SIDE, TYP.

3/8" ϕ , TYP.

2"x2"x1/4"
ANGLE, A36

8.75"

15.56"

ϕ 17.5"

STEEL FRAME TO BE
PRIME PAINTED GRAY

6.1"

7.9"

35.8"

20"

48"

2" METER LID ASSEMBLY

N.T.S.
S-27

SPRINGDALE
WATER UTILITIES

526 OAK AVENUE • P.O. BOX 769 • SPRINGDALE, ARKANSAS • 72765-0769 • (479) 751-5751

STANDARD DETAILS
FOR
WATER AND SEWER CONSTRUCTION

DRAWN BY: TLS

DRAWING NO: S-27

DATE: OCTOBER 2019