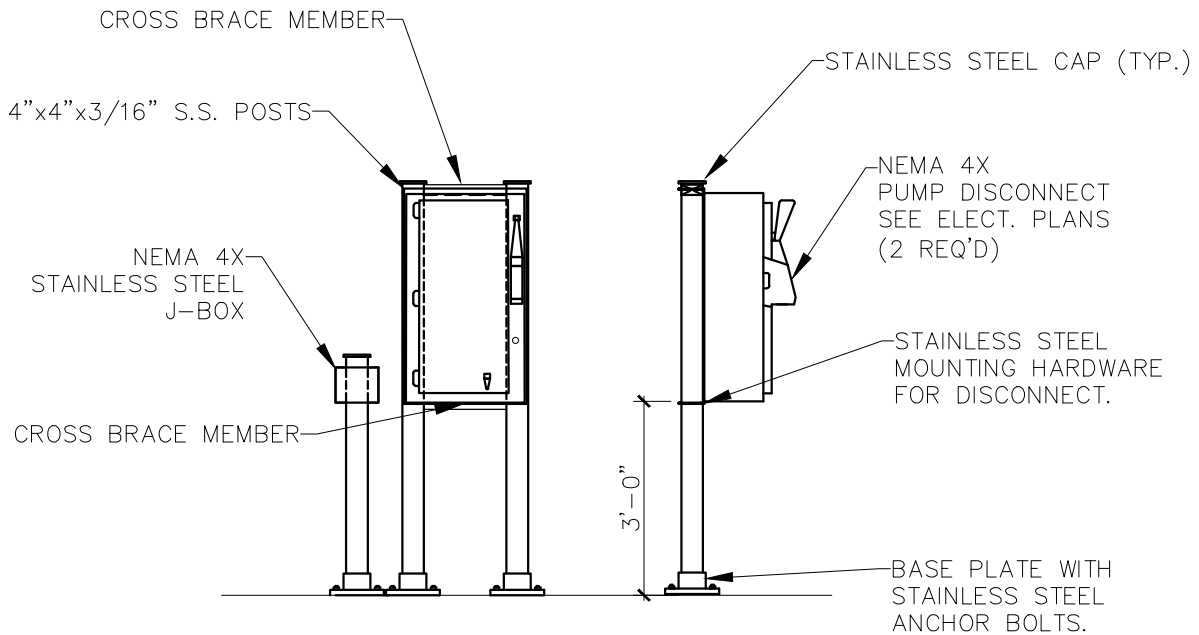


NOTE:  
 ALL METAL SURFACES  
 SANDBLAST TO SSPC-SP-10  
 "NEAR WHITE GRADE" 10.0 MILS  
 KOPPERS HI-GARD EPOXY

**ADJUSTABLE PIPE SUPPORT DETAIL**

DIMENSION: AS SHOWN



**PUMP DISCONNECT SUPPORT DETAIL**

N.T.S.



526 OAK AVENUE • P.O. BOX 769 • SPRINGDALE, ARKANSAS • 72765-0769 • (479) 751-5751

STANDARD SEWAGE PUMP STATION DETAILS  
 FOR  
 WATER AND SEWER CONSTRUCTION

DRAWN BY:  
 CRK

DRAWING NO:  
 PS-11

DATE:  
 JAN. 2021