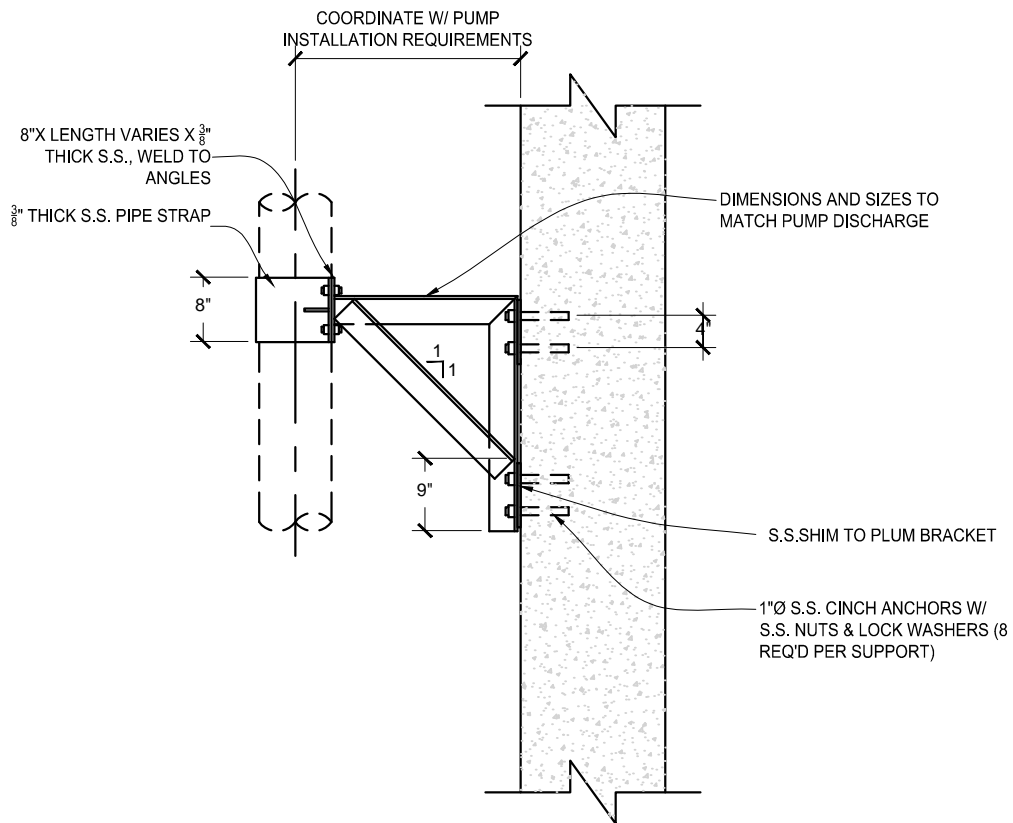


### PLAN – RISER SUPPORT DETAIL

(FOR PUMP DISCHARGE RISERS  
NTS



### SECTION – TYPICAL RISER SUPPORT DETAIL

(FOR PUMP DISCHARGE RISERS)  
NTS