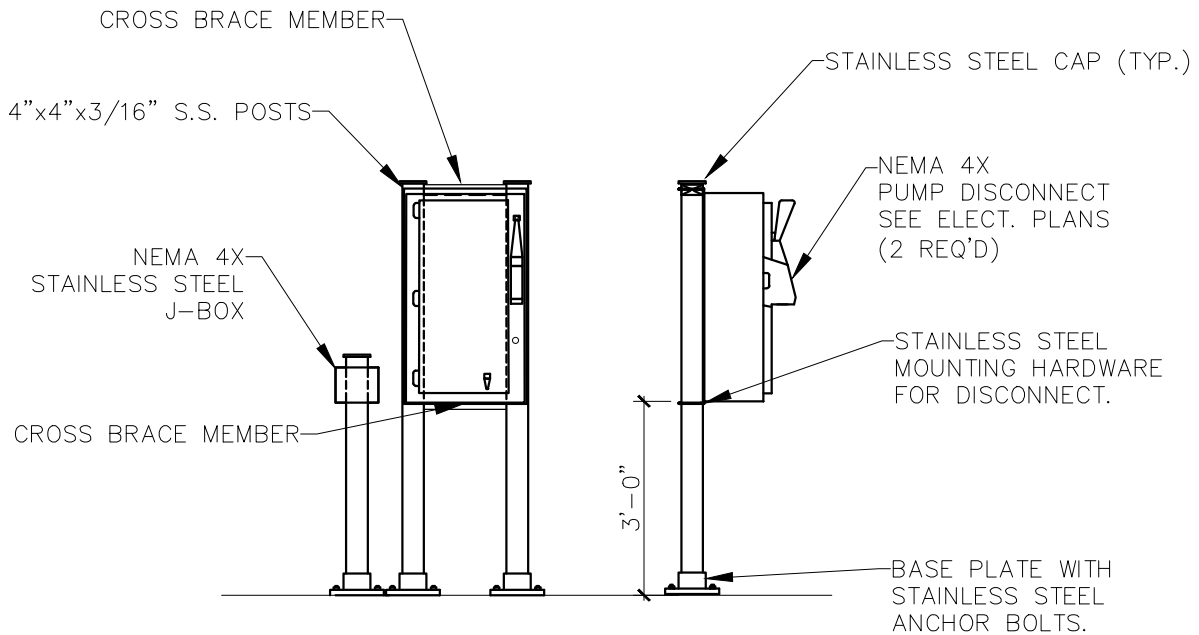


NOTE:
 ALL METAL SURFACES
 SANDBLAST TO SSPC-SP-10
 "NEAR WHITE GRADE" 10.0 MILS
 KOPPERS HI-GARD EPOXY

ADJUSTABLE PIPE SUPPORT DETAIL

DIMENSION: AS SHOWN



PUMP DISCONNECT SUPPORT DETAIL

N.T.S.



526 OAK AVENUE • P.O. BOX 769 • SPRINGDALE, ARKANSAS • 72765-0769 • (479) 751-5751

STANDARD SEWAGE PUMP STATION DETAILS
 FOR
 WATER AND SEWER CONSTRUCTION

DRAWN BY:
 CRK

DRAWING NO:
 PS-11

DATE:
 JAN. 2021