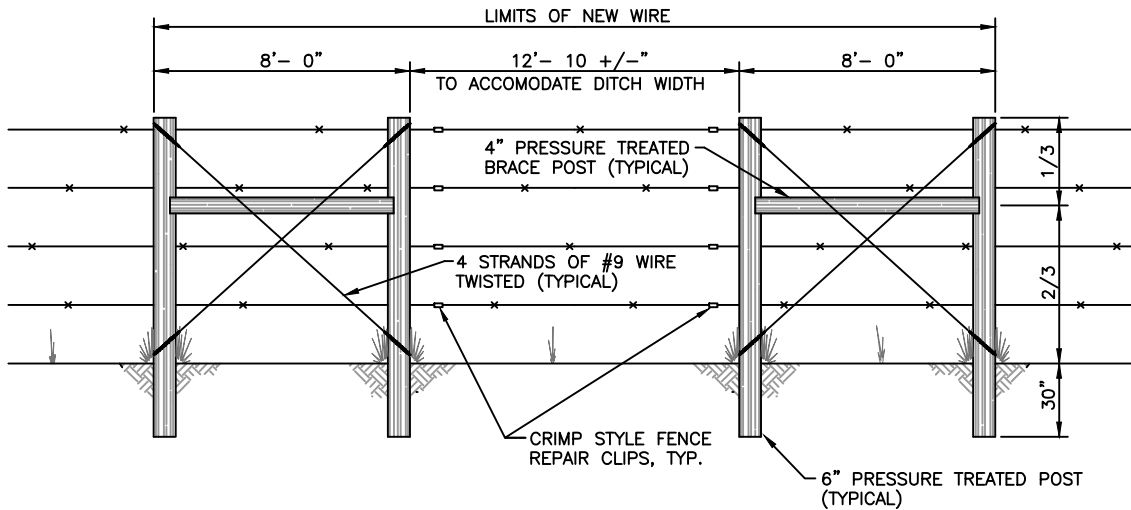


- NOTES:
1. H-BRACE UNITS SHALL BE INSTALLED PRIOR TO CUTTING EXISTING FENCE
 2. HEIGHT OF POST TO MATCH EXISTING POSTS.
 3. NEW WIRE SHALL BE THE SAME TYPE AS EXISTING FENCE.

GATE INSTALLATION DETAIL



- NOTES:
1. H-BRACE UNITS SHALL BE INSTALLED PRIOR TO CUTTING EXISTING FENCE
 2. HEIGHT OF POST TO MATCH EXISTING POSTS.
 3. NEW WIRE SHALL BE THE SAME TYPE AS EXISTING FENCE.

CROSSING REPAIR DETAIL

BARBED WIRE FENCING

N.T.S.



526 OAK AVENUE • P.O. BOX 769 • SPRINGDALE, ARKANSAS • 72765-0769 • (479) 751-5751

MISCELLANEOUS DETAILS
FOR
WATER AND SEWER CONSTRUCTION

DRAWN BY: CAG

DRAWING NO: M-6

DATE: MARCH 2008