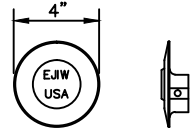
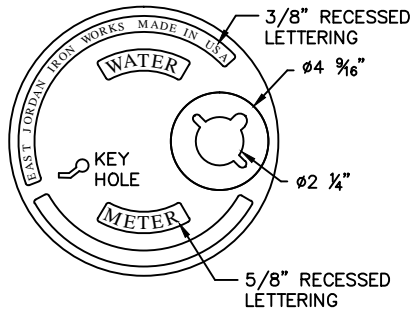
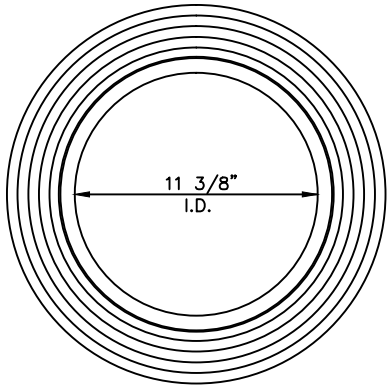
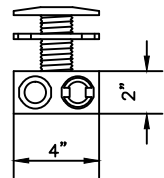
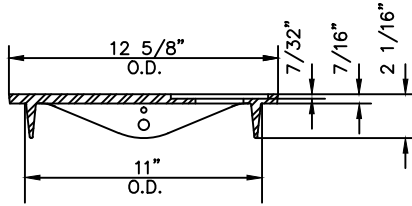
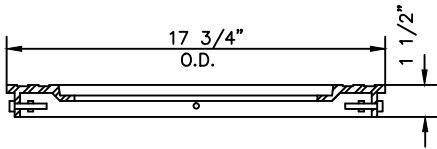


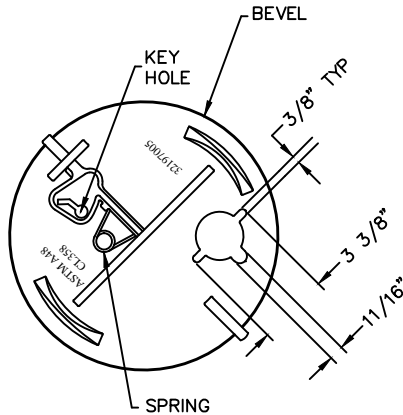
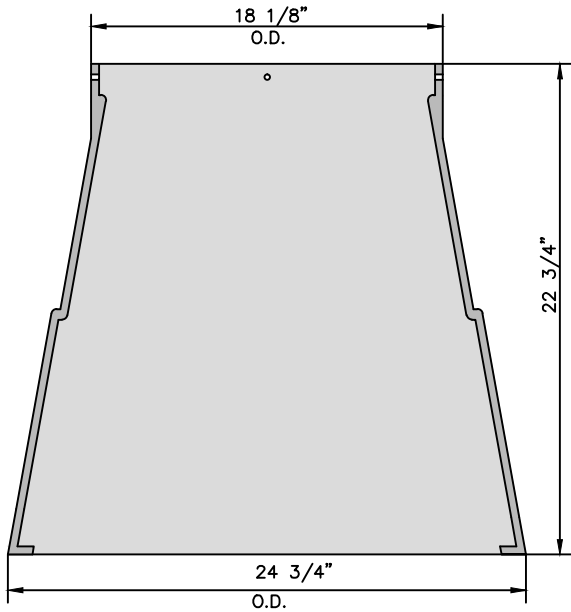
**METER BOX RING**  
MATERIAL: CAST IRON



**OFFSET PLUG W/PIN**  
MATERIAL: ASTM A48 CL35B  
NO. 32196998



**MXU ANTENNAE**  
MATERIAL: BLACK PLASTIC  
NO. M520R-C1-TC-X-T



**AUTOMATED LOCKING COVER**  
MATERIAL: CAST IRON  
NO. 32197105

**METER BOX**  
MATERIAL: WHITE PLASTIC  
BOX WITH RING  
EAST JORDAN IRON WORKS  
34P24 A-TYPE  
18X24X24D  
OR APPROVED EQUAL

**STANDARD METER BOX**  
N.T.S.

