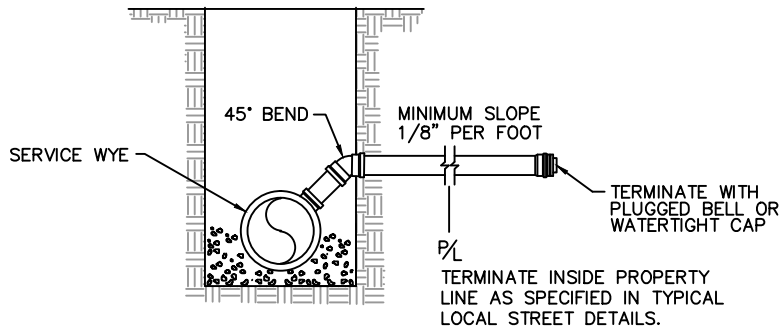


RISER FROM DEEP MAIN



NORMAL DEPTH

SEWER SERVICE CONNECTIONS

N.T.S.



526 OAK AVENUE • P.O. BOX 769 • SPRINGDALE, ARKANSAS • 72765-0769 • (479) 751-5751

STANDARD DETAILS
FOR
WATER AND SEWER CONSTRUCTION

DRAWN BY: TLS

DRAWING NO: S-16

DATE: MARCH 2008