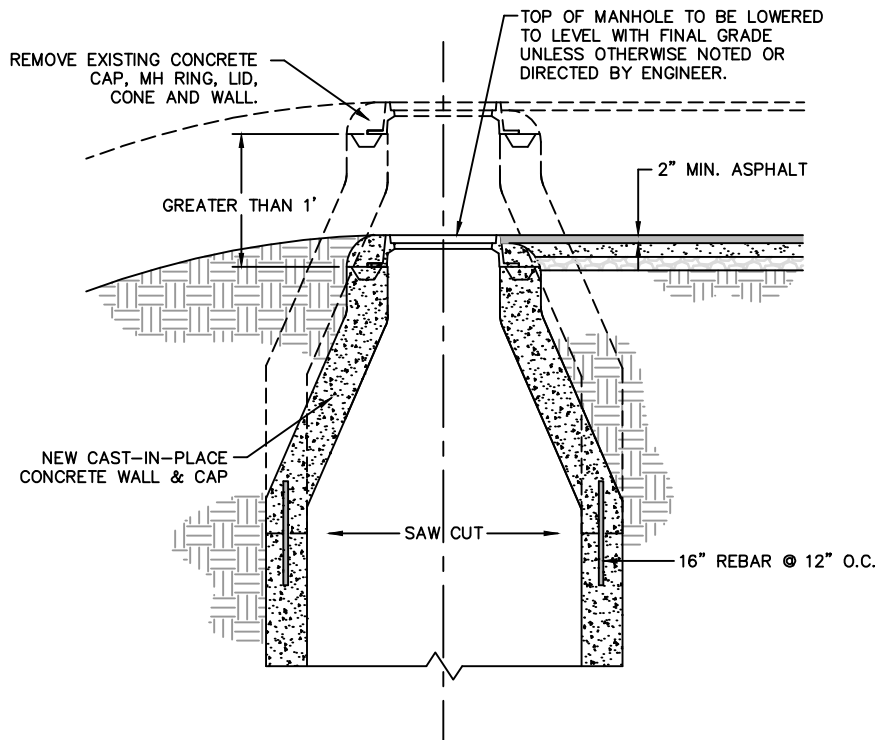


MANHOLE HEIGHT DECREASE

(1' OR LESS)

N.T.S.



MANHOLE HEIGHT DECREASE

(GREATER THAN 1')

N.T.S.