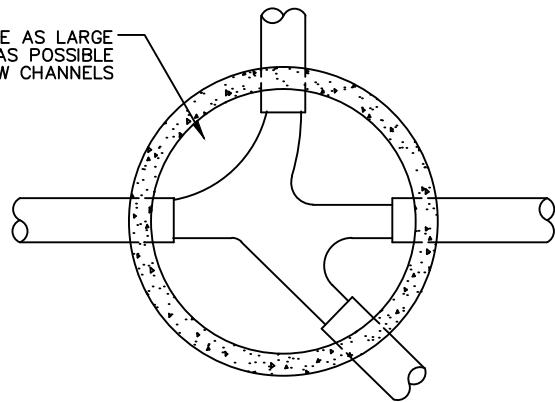


NOMINAL SEWER SIZE	MINIMUM MANHOLE WIDTH
≤12"	4'-0"
14"-20"	5'-0"
≥24"	6'-0"

CAST IN PLACE MANHOLE

N.T.S.



NOTES:

1. THE CENTERLINE OF ALL PIPES ENTERING AND LEAVING A MANHOLE SHALL PASS THROUGH THE CENTER OF THE MANHOLE.
2. BRUSH FINISHED SURFACES OF CONCRETE AND REMOVE ALL SHARP EDGES.
3. CONSTRUCT FLOW CHANNEL FOR ALL PIPES ENTERING THE MANHOLE, INCLUDING SERVICE LINES, TO MAINTAIN A CONSTANT GRADE THROUGHOUT EACH INVERT.

MANHOLE BOTTOM

FOR 6" THROUGH 24" SEWER MAINS
(MANHOLES FOR SEWER MAINS LARGER THAN 24" REQUIRE INDIVIDUAL DESIGN)

N.T.S.



STANDARD DETAILS
FOR
WATER AND SEWER CONSTRUCTION