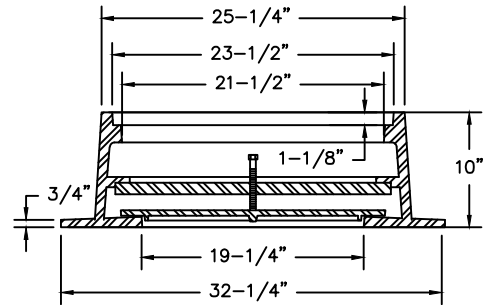
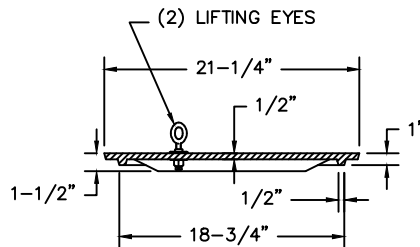
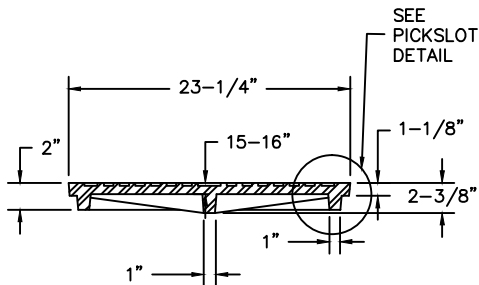


OUTER COVER FACE AND BACK

INNER COVER FACE AND BACK

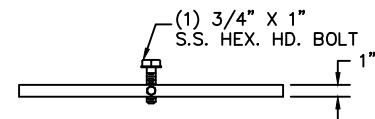
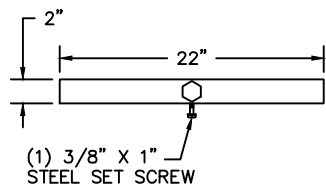
MANHOLE FRAME



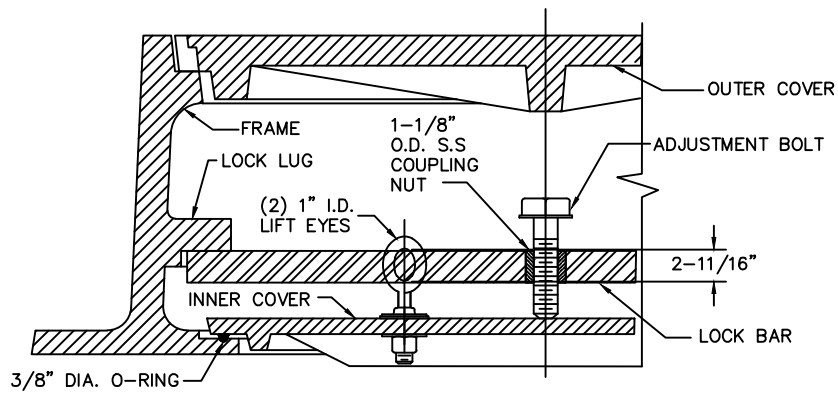
OUTER COVER SECTION

INNER COVER SECTION

FRAME SECTION



STEEL LOCK BAR



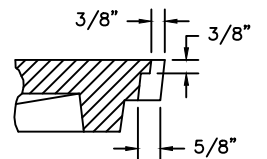
WATERTIGHT LOCKING DETAIL

WATERTIGHT MANHOLE FRAME & COVER

N.T.S.

VULCAN FOUNDRY V-2150-1

NOTE
 MINIMUM WEIGHTS:
 OUTER COVER: 137 LBS
 INNER COVER: 58 LBS
 LOCK BAR: 14 LBS
 RING WEIGHT: 305 LBS
 MINIMUM COMBINED WEIGHT: 514 LBS
 (SEE SPECS FOR ADDITIONAL REQUIREMENTS)



(2) TYPE 1 PICKSLOTS
 IN OUTER COVER ONLY

PICKHOLE DETAIL



STANDARD DETAILS
 FOR
 WATER AND SEWER CONSTRUCTION